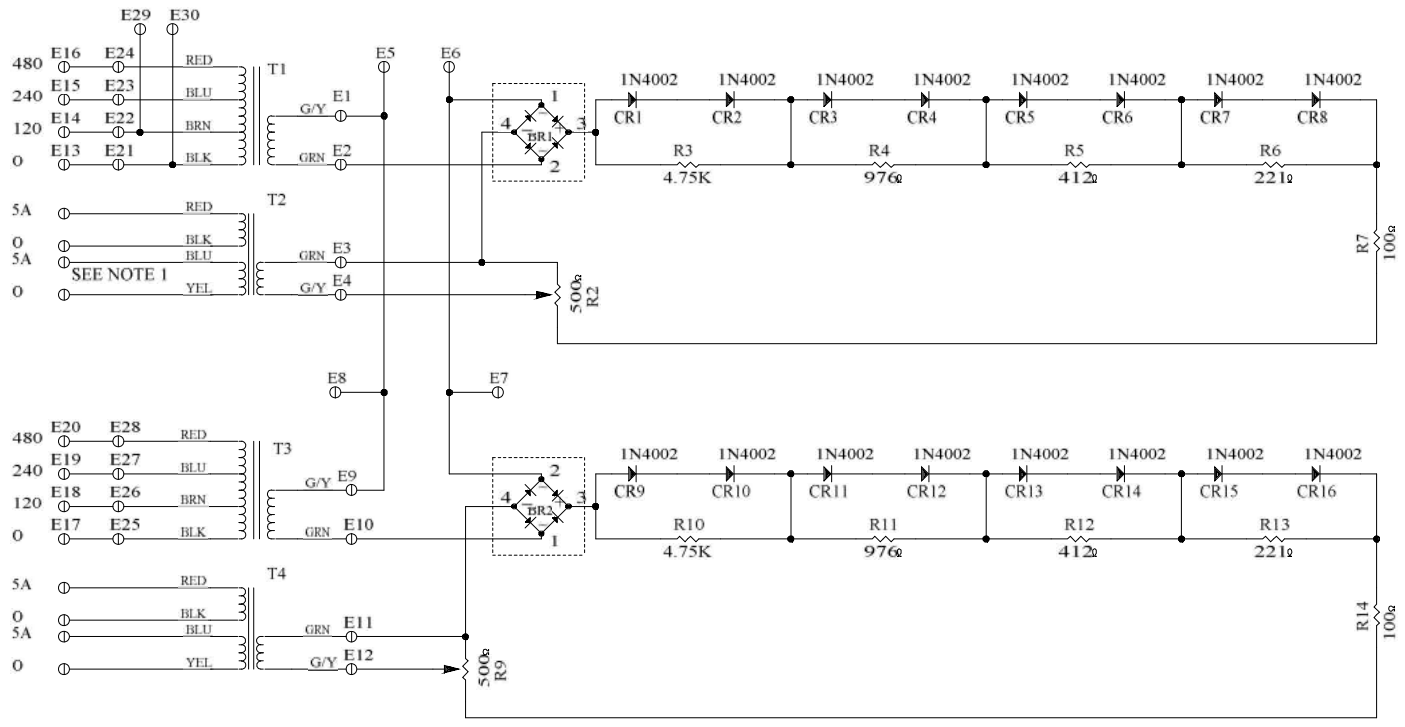


8 7 6 5 4 3 2 1

REVISIONS				
NO.	DCN NO.	DESCRIPTION	APP'D	DATE



NOTES:
 1. FOR 2 ELEMENT BOARD, T2 & T4 HAVE SINGLE PRIMARY.

THE INFORMATION EMBODIED HEREIN IS THE PROPERTY OF EIL INSTRUMENTS, INC. AND MUST NOT BE DISCLOSED OR COPIED WITHOUT A WRITTEN RELEASE.

EIL INSTRUMENTS, INC. 10 LOVETON CIRCLE SPARKS, MD. 21152

TITLE SCHEMATIC WATT TRANSDUCER BOARD

DRAWN	CHK'D	APP'D	RELEASE
HAMPTON			
DATE	DATE	DATE	
5/10/90			

DRAWING NUMBER 843C251 R0 SHEET 1 OF 1

8 7 6 5 4 3 2 1